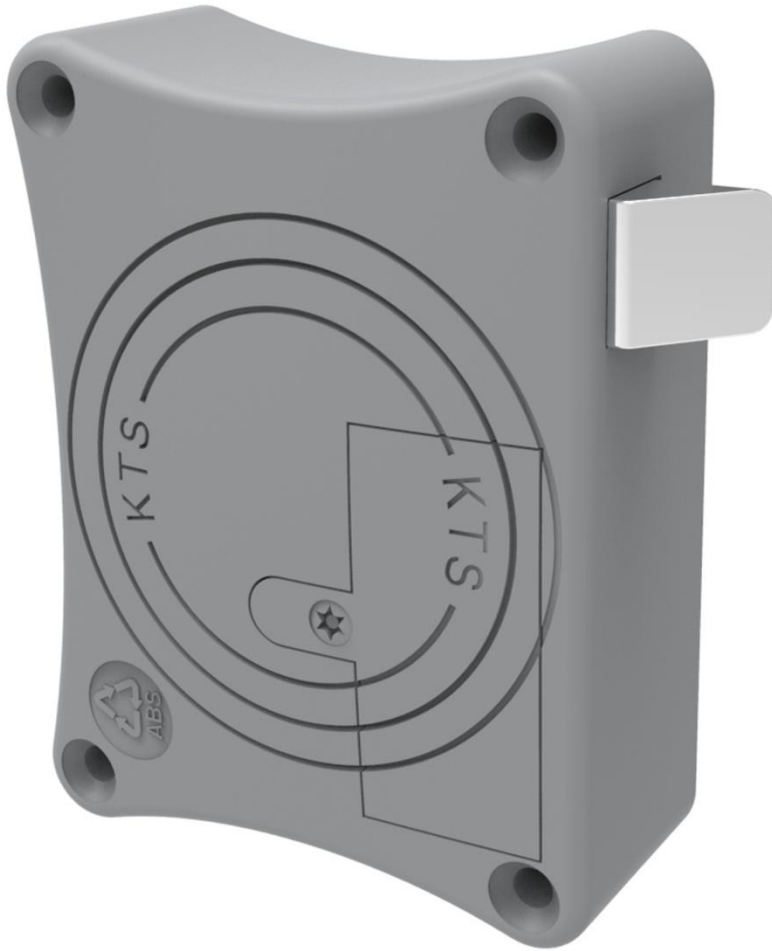


The logo for KEYA, featuring the word "KEYA" in a stylized, white, geometric font. The letters are interconnected, with the 'K' and 'E' sharing a vertical stroke, and the 'Y' and 'A' also sharing strokes. A small registered trademark symbol (®) is located at the top right of the 'A'.

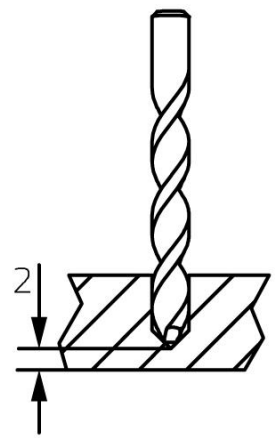
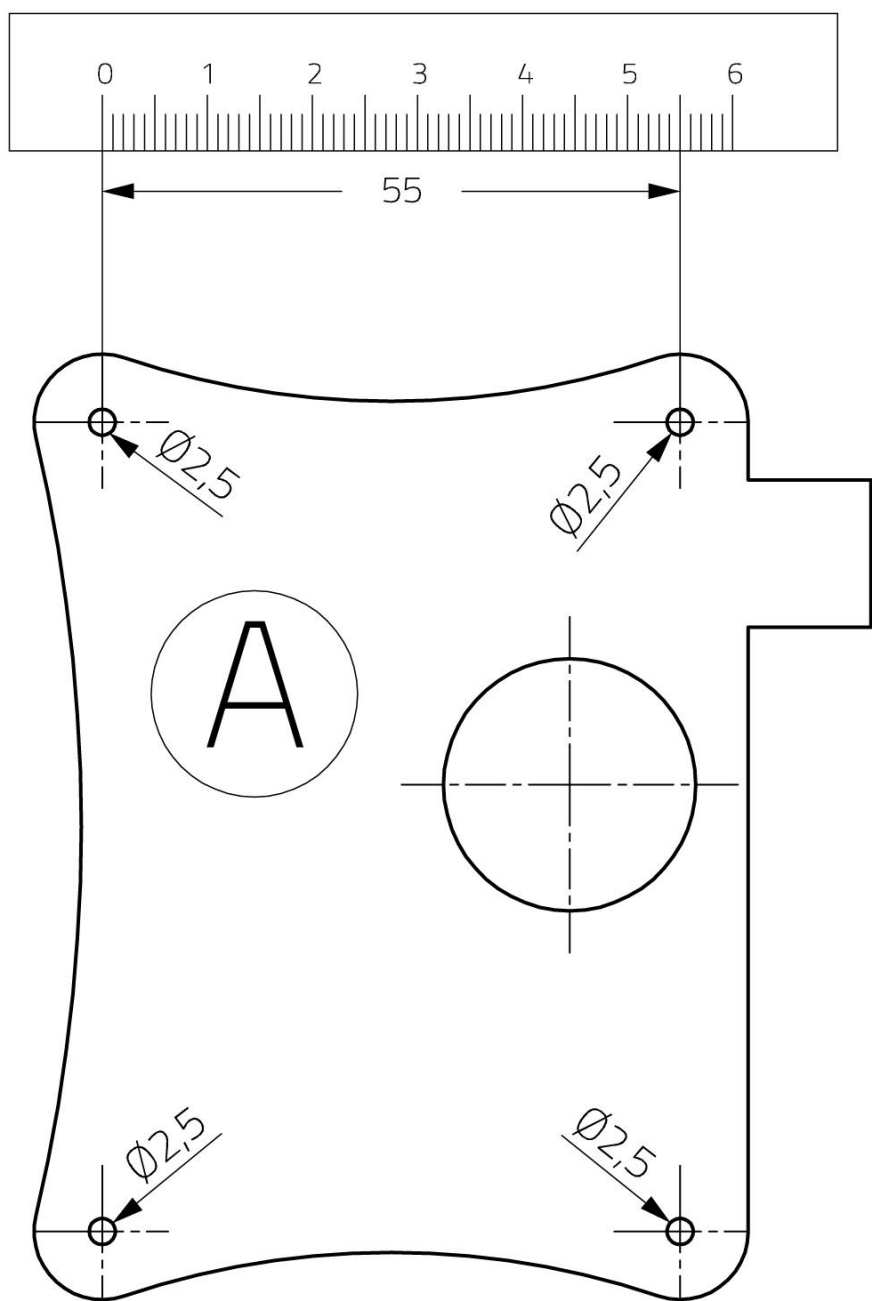
UNLOCK INNOVATION

The background features a blue-to-teal gradient. On the right side, a series of thin white lines curve upwards and outwards, creating a sense of motion and depth. On the left side, a series of thin white lines curve downwards and outwards, mirroring the lines on the right.

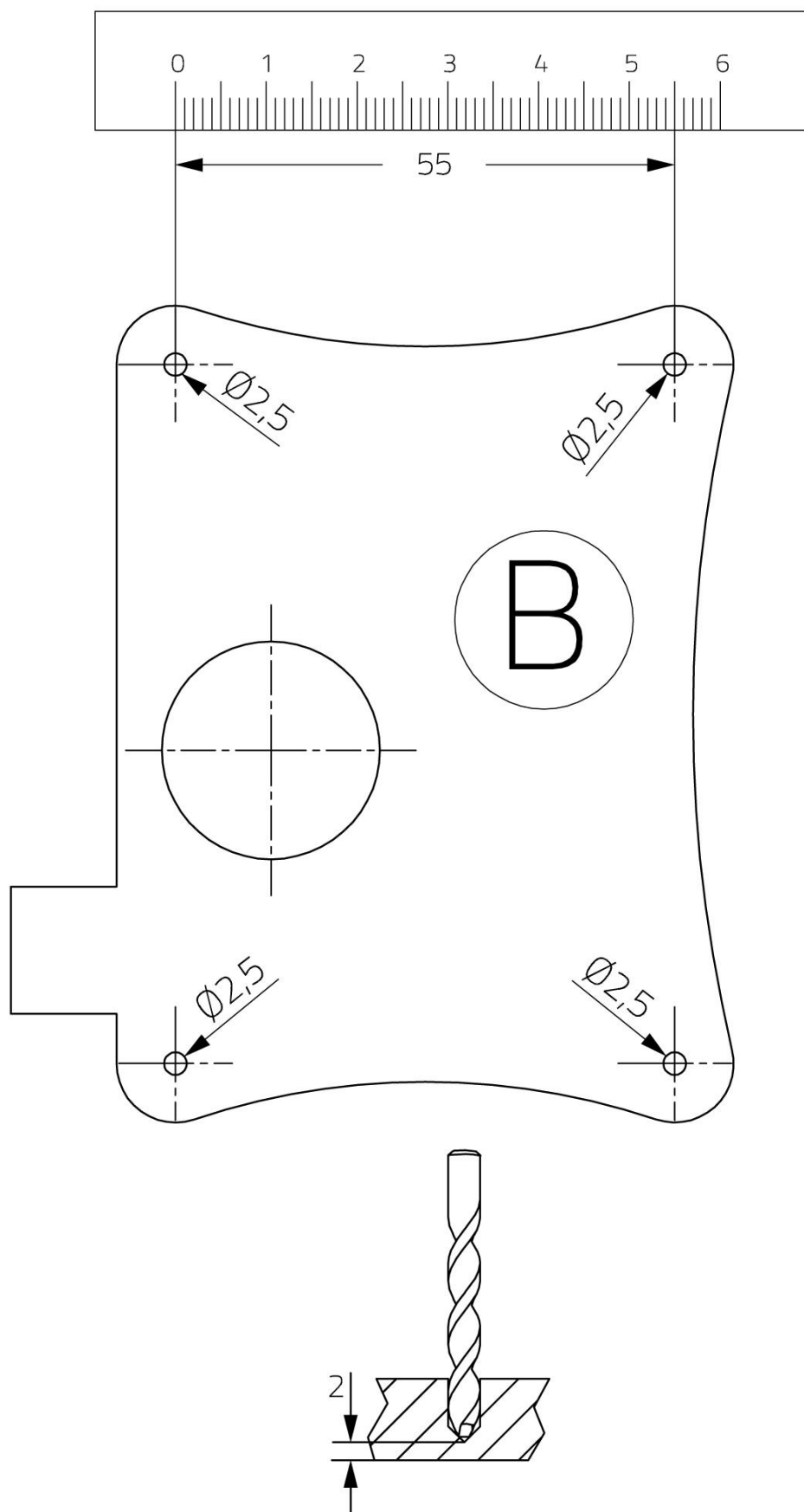
**KTS**  
MONTAJE / ASSEMBLY

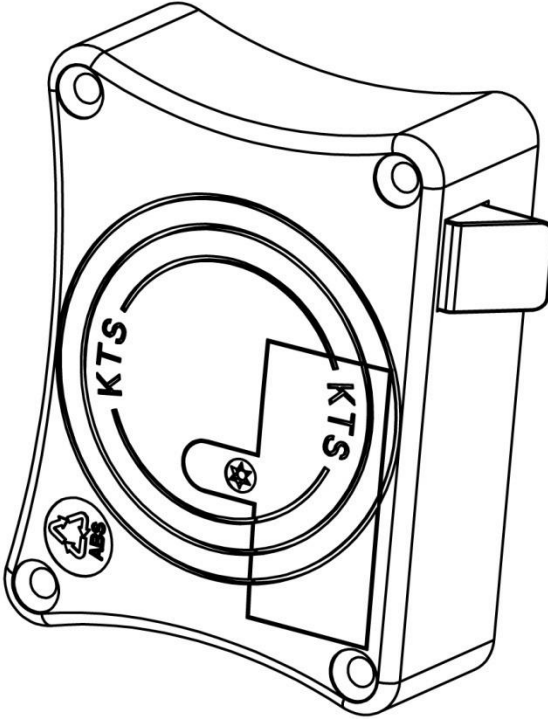


PLANTILLA CERRADURA PUERTA DERECHA  
TEMPLATE OF RIGHT HAND DOOR

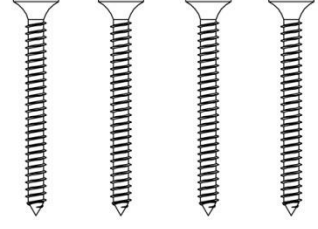


PLANTILLA CERRADURA PUERTA IZQUIERDA  
TEMPLATE OF LEFT HAND DOOR

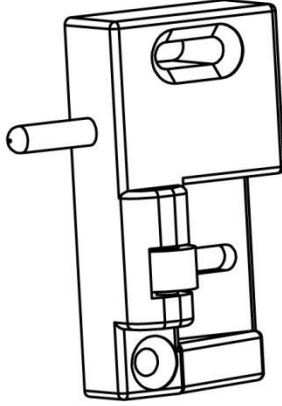




C



Ø3,8 x 39,7



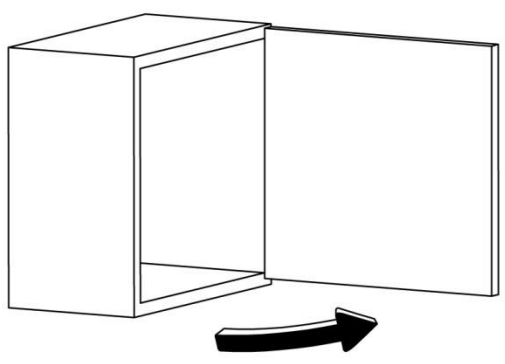
Ø4 x 26,6

D

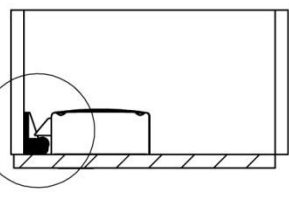
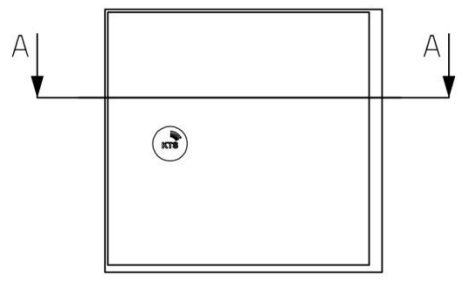
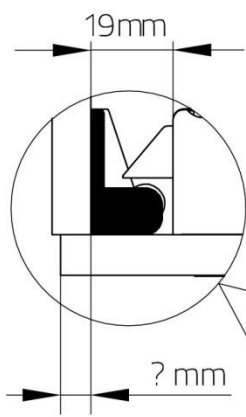


Ø4 x 14



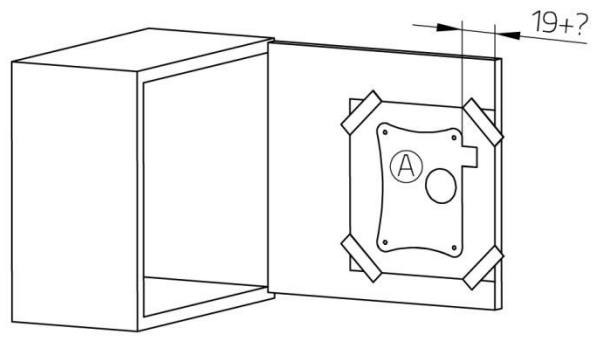


**A** PUERTA DERECHA  
RIGHT HAND DOOR

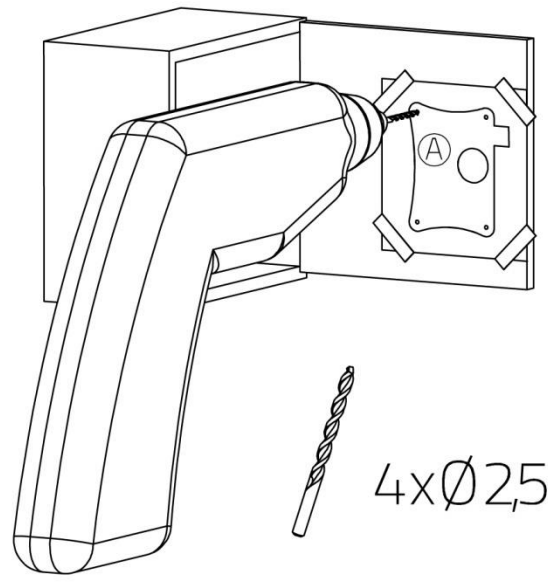


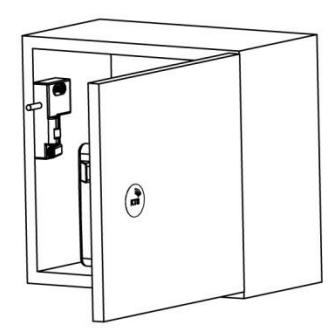
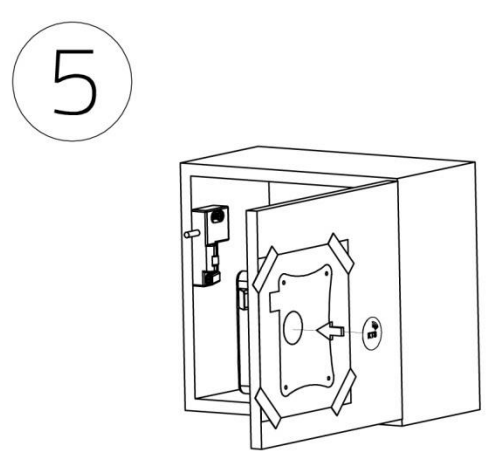
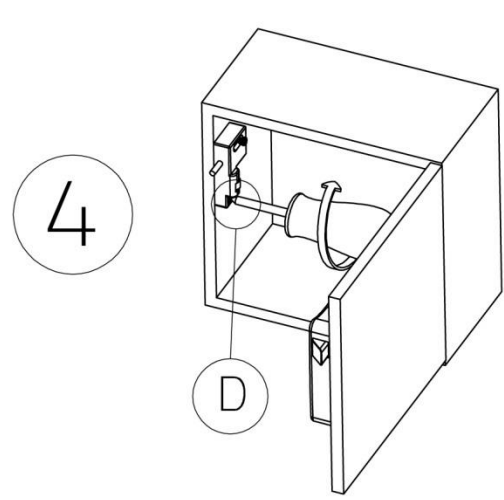
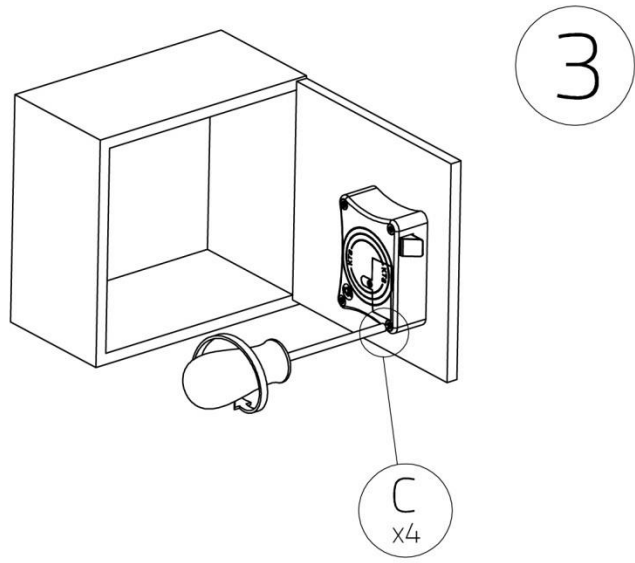
SECCIÓN-SECTION  
A-A

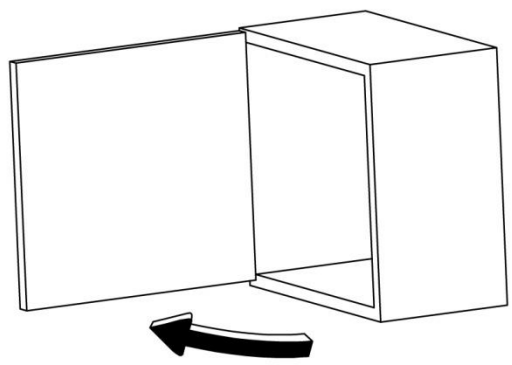
**1**



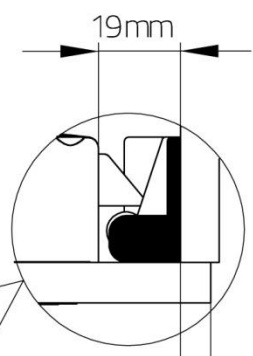
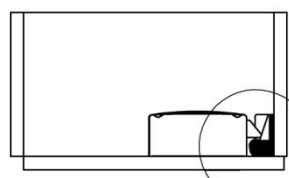
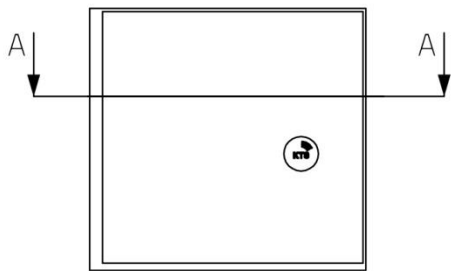
**2**







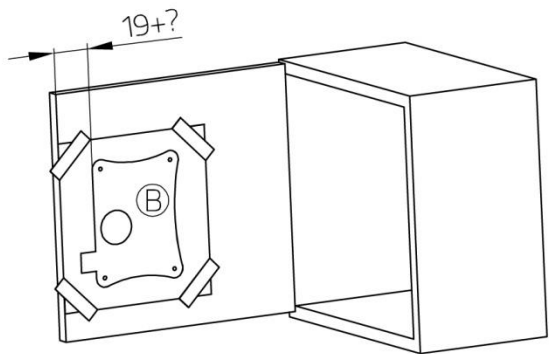
**B** PUERTA IZQUIERDA  
LEFT HAND DOOR



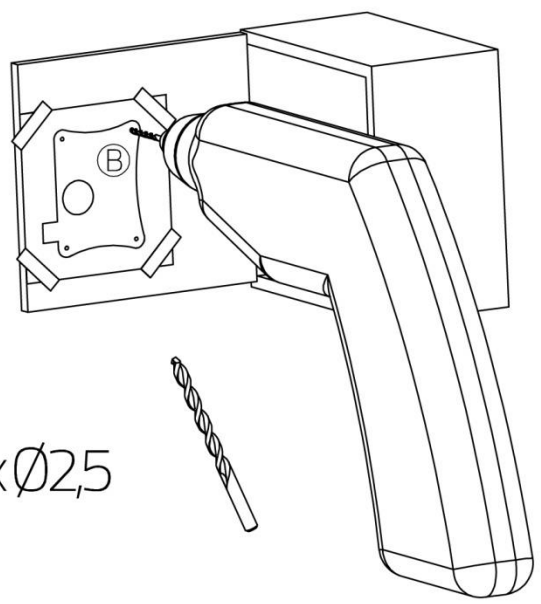
? mm

SECCIÓN-SECTION  
A-A

**1**

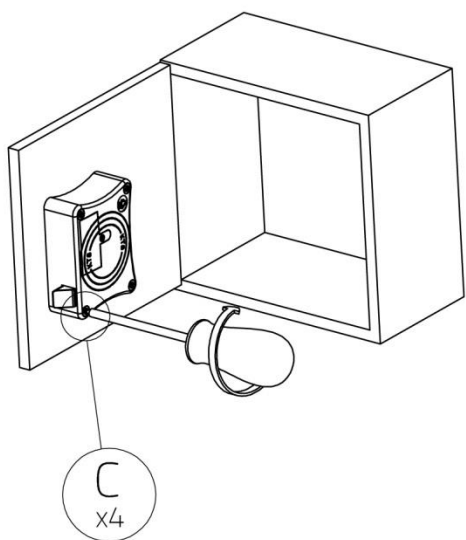


**2**

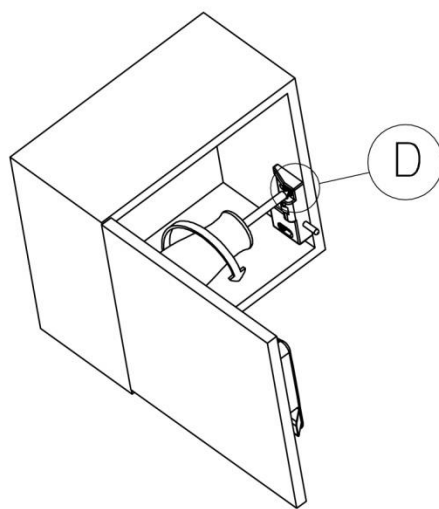


4xØ2,5



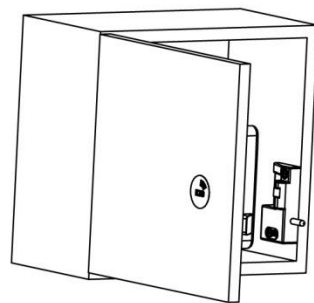
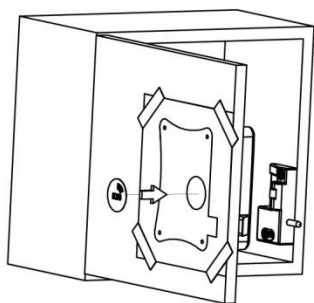


3



4

5



## FAQ's Preguntas más frecuentes / Frequently asked questions

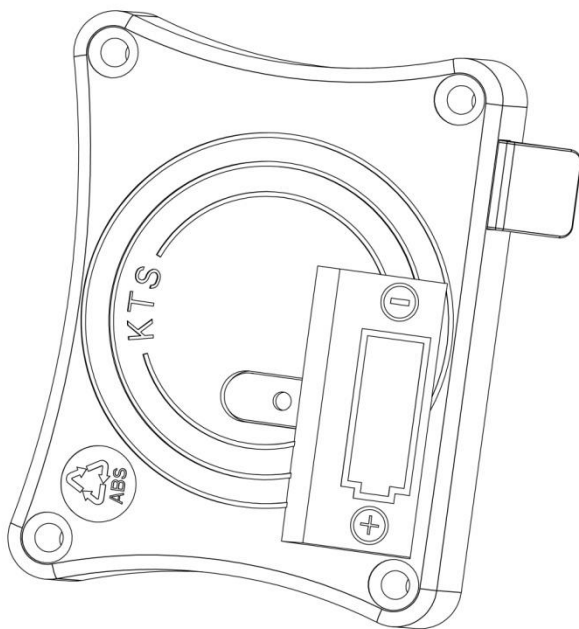
Una vez instalada, la cerradura no responde (no emite pitido ni funciona)

Once assembled, the lock does not work (no sound and the lock does not work)

Verificar que la pila esté en la posición correcta (respetando la polaridad indicada en el compartimento)

Verify that the battery are in the right polarity (as indicated in the battery box).

1



### IMPORTANTE

Recomendamos cambiar las pilas cada tres años para asegurar el buen estado de la cerradura. Las pilas tras largos periodos de tiempo instaladas, pueden dañarse y dañar la cerradura, especialmente en ambientes muy cálidos

No limpiar las cerraduras con productos de limpieza que contengan ácido clorhídrico, lejía o componentes corrosivos, especialmente en las partes metálicas.

### IMPORTANT

We suggest to change once every three years the batteries for ensure their good condition. After a long time, the batteries can deteriorate and damage the lock, especially in hot environments

Do not clean the locks with cleaning products with hydrochloric acid, lye or corrosive components, especially on the metallic parts.

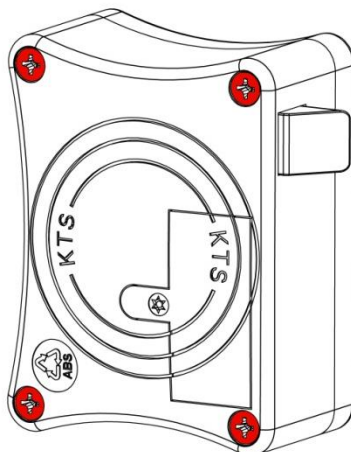
El pestillo no abre/cierra después de aproximar una tarjeta válida.

The latch does not open/close after approach a correct card.

Verificar que los cuatro tornillos de fijación de la cerradura no estén excesivamente apretados (<20kgf/cm<sup>2</sup>).

Verify that the screws are not fastened too tight (<20kgf/cm<sup>2</sup>).

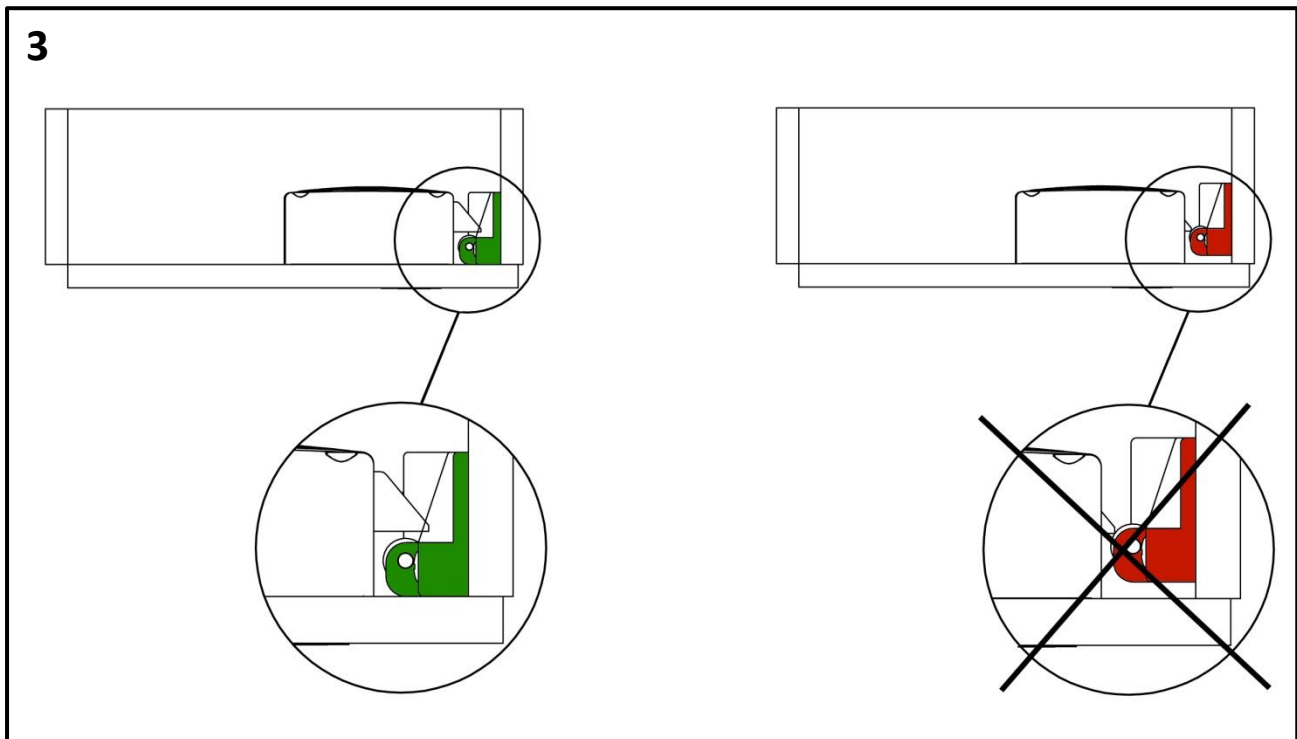
2



No es recomendable montar KTS en puertas de mas de 16mm de espesor.

It is not recommended mount KTS in doors more than 16mm of thick.

Verificar que el pestillo abre y cierra sin impedimento ( roce, interferencia contra el marco ).  
 Verify that the latch works smoothly in and out, without any friction with the door frame.



**La cerradura emite señales acústicas repetidamente y no cierra.**

**The lock emits beeps repeatedly and does not close.**

Pila agotada: debe ser reemplazada.

Dead battery: replace battery.

