

The logo for KEYA, featuring the word "KEYA" in a stylized, white, geometric font. The letters are interconnected, with the 'K' and 'E' sharing a vertical stroke, and the 'Y' and 'A' sharing a vertical stroke. A registered trademark symbol (®) is located at the top right of the 'A'.

UNLOCK INNOVATION

Abstract white lines on a blue background. The lines form a series of overlapping, wavy curves that sweep across the lower half of the image, creating a sense of motion and depth. The lines are thin and numerous, creating a dense, textured effect.

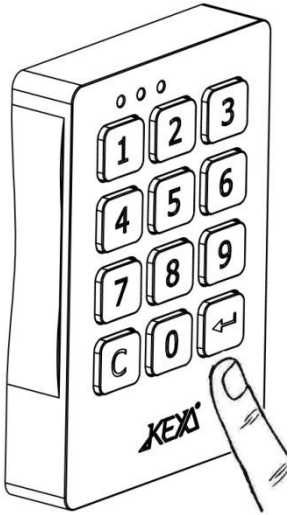
**TRONIC PLUS**



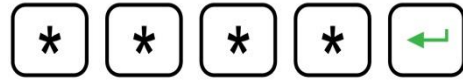


## Multiuser mode

1



To close:



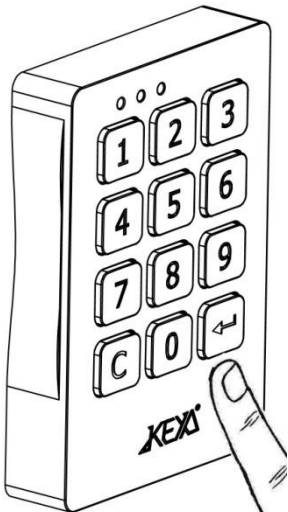
To open:



Open and close by 4-digit code. The code is erased every time the lock is opened, being available for a new use.

## Single User mode

2



To open:



To close:

**The latch closes automatically after 2 seconds.**

Note: the lock is provided with a metal latch holder that allows to close the door just by pushing it. (slam door system)

Open and close by 4-digit code. The code is set for 1 user only.

### Change the User code

**3**

press during 3 seconds

CURRENT code

NEW code

Press Enter during 3 seconds.  
 Introduce Current code and press Enter.  
 Introduce New code and press Enter.

### Open using Master cod: Inspection mode / Delete last User code

**4**

To open:

MASTER code

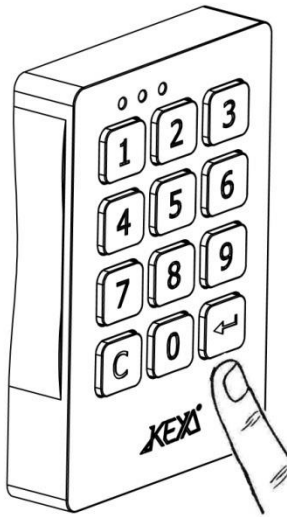
-30s INSPECTION MODE	+30s USER ERASED
----------------------------	------------------------

**INSPECTION MODE**  
 Introduce the 5 digit Master code and press Enter  
 Close the lock by pressing Enter before 30s.  
 The User code is not deleted.

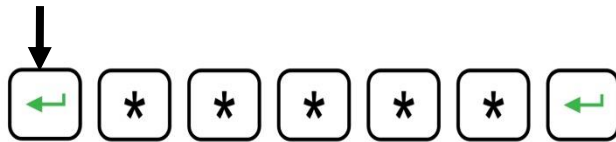
**DELETE USER CODE**  
 Introduce Master code and press Enter.  
 After 30s the lock remains opened.  
 The user code has been deleted and a new User code  
 will be required to close the lock again.

## Change the Master code

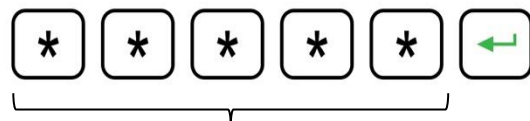
5



press during 3 seconds



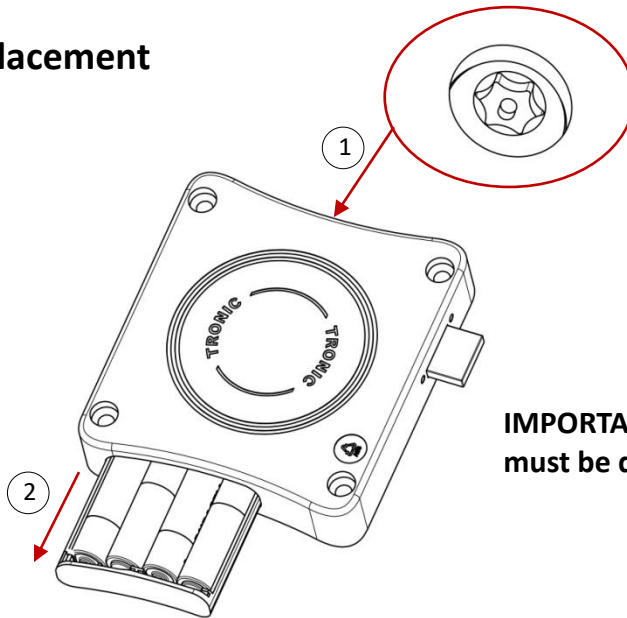
CURRENT master code



NEW master code

Press Enter during 3 seconds.  
Introduce Current master code and press Enter.  
Introduce New master code and press Enter.

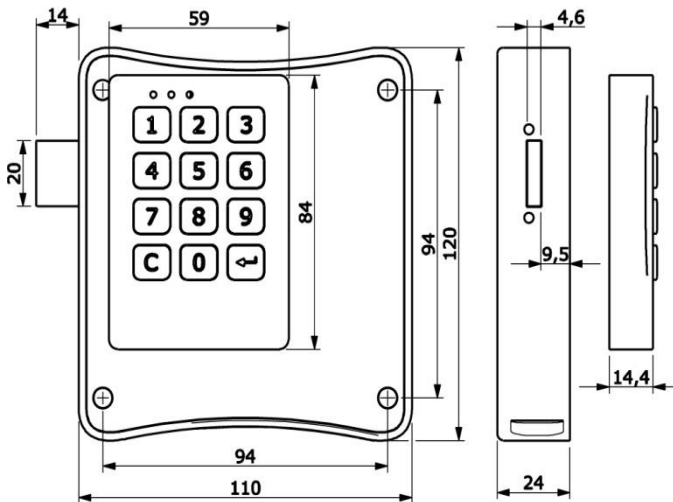
### Batteries replacement



Torx T20

**IMPORTANT:** The batteries replacement must be done in less than 5 minutes

### Measurements



### Technical specifications

Salt spray test	> 96h
Working temperature	-5°C <> +70°C
Latch force	> 45Kgf
UV Rays	> 10000h
Vibration	10 - 200 Hz 2g
Life test	> 200000 cycles
Electrostatic discharge	8000 V
Battery life	> 30000 cycles or three years



RoHS



Management System  
ISO 9001:2008

www.tuv.com  
ID 9105066651

